

# Round or Square Element 4" Fixed Downlight Housing

E4\_-L\_D\_ 1.4

## VISUAL COMFORT & Co.

ARCHITECTURAL COLLECTION

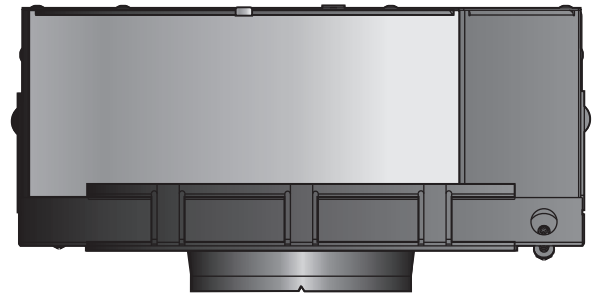
### GENERAL PRODUCT INFORMATION:



This product is suitable for indoor locations.

This product can be dimmed with a standard electronic dimmer.

This instruction shows a typical installation.

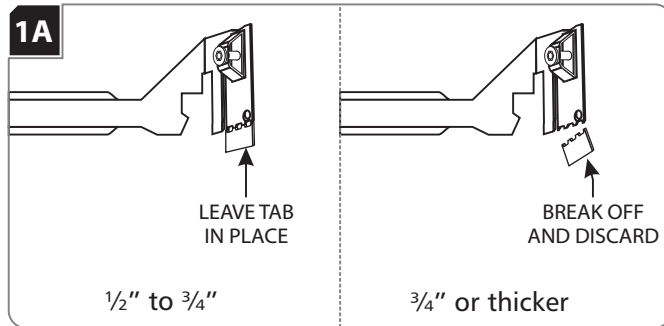


### CAUTION - RISK OF FIRE

This product must be installed in accordance with the applicable installation code by a person familiar with the construction and operation of the product and the hazards involved.

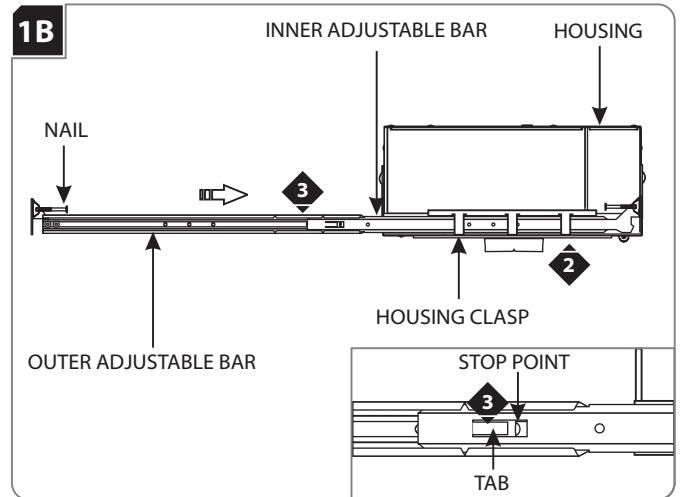
**Use minimum 90°C supply conductors.**

### Install the Housing with Adjustable Bars

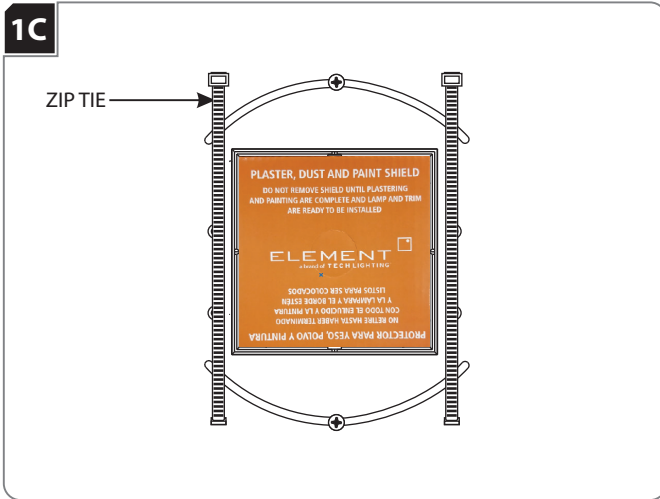


**NOTE:** Skip this section if installing the housing with butterfly brackets.

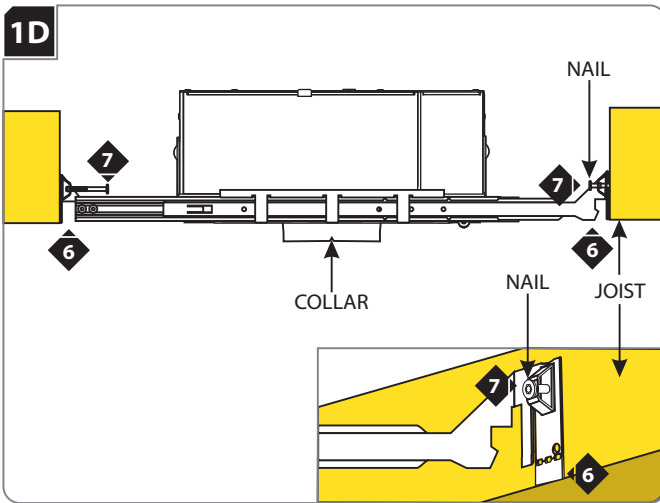
- 1** Keep Tab for ceiling 1/2" to 3/4" thick. When using adjustable hanger bars with 1/2" to 3/4" thick ceilings, leave the tab of the hanger bars in place. **Break off Tab for ceiling 3/4" or thicker.** When using adjustable hanger bars with 3/4" or thicker ceilings, remove the tab by bending it at the perforation.



- 2** Slide the inner adjustable bar completely through the three housing clasps. Make sure the nail is on top.
- 3** Slide and push the outer adjustable bar completely onto the inner adjustable bar so that the tab clicks into place behind the stop point. This will prevent the adjustable bars from coming apart.
- 4** Repeat steps 2 & 3 for the other side of the housing.

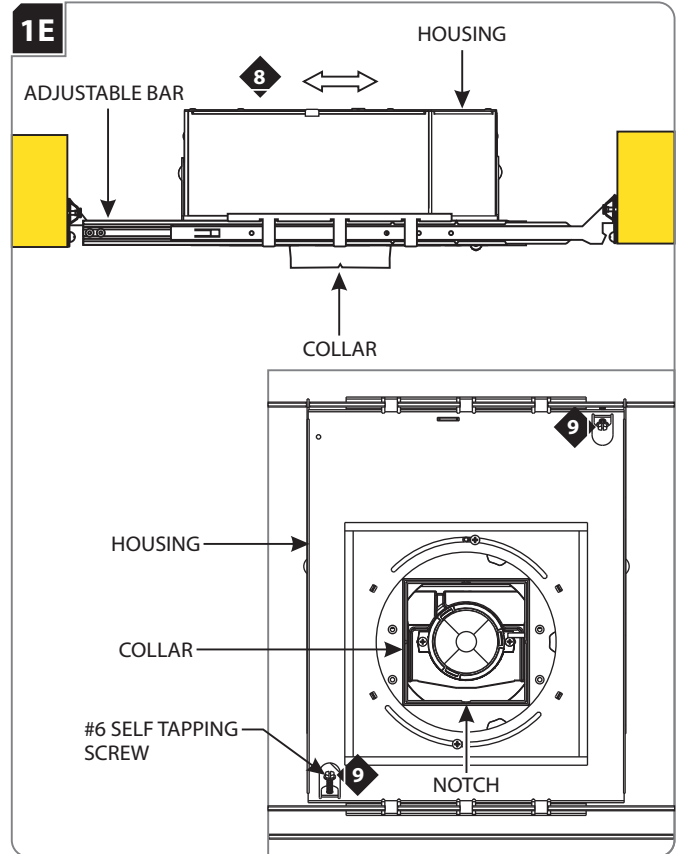


5 Carefully cut and remove the zip ties.



**NOTE:** The adjustable bars can be mounted to joists that are spaced 16" - 24" apart.

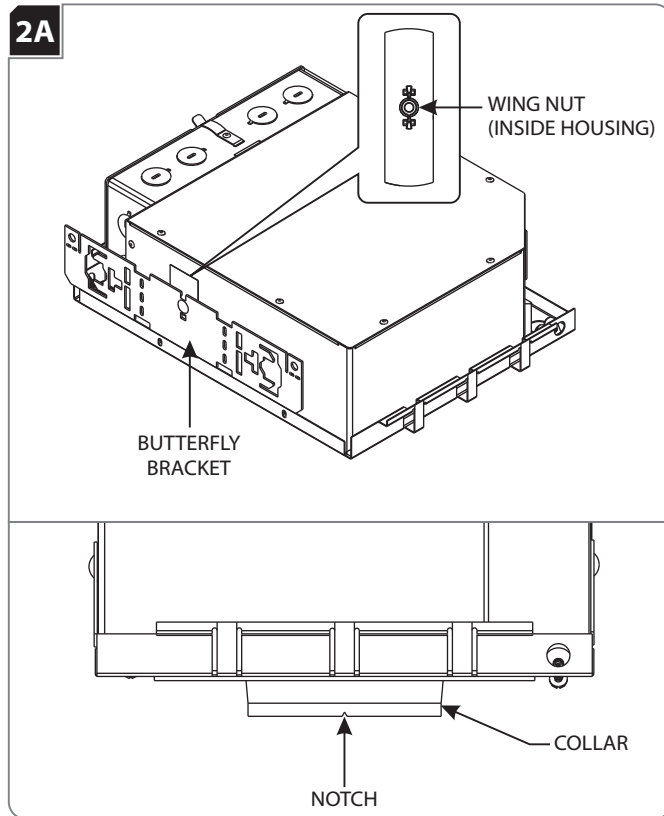
- 6 Align the bottom of the end plates with the bottom of the ceiling joists.
- 7 Level the adjustable bars and, with a hammer, tap the nails completely into the joists to secure the adjustable bars.



- 8 Adjust the collar position (horizontal position) by sliding the housing on adjustable bars.
- 9 When the desired location is achieved, tighten the two #6 self tapping screws to lock the housing onto the adjustable bars.

**NOTE:** Notches in the collar can be used to align multiple housings using a laser or string.

## Install the Housing with Butterfly Brackets

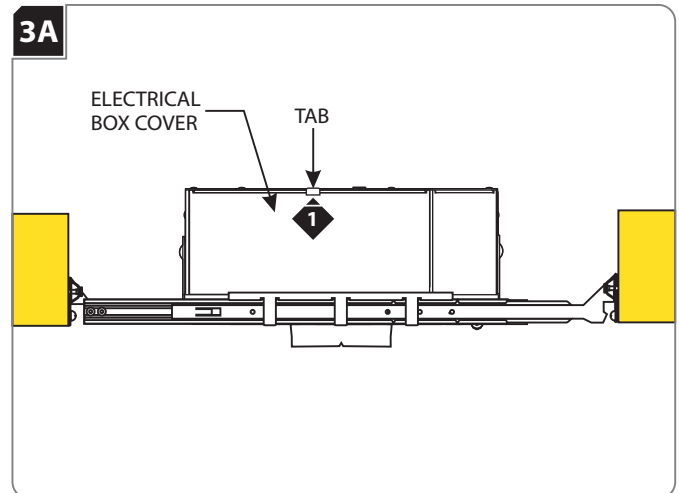


**NOTE:** Skip this section if installing the housing with adjustable bars.

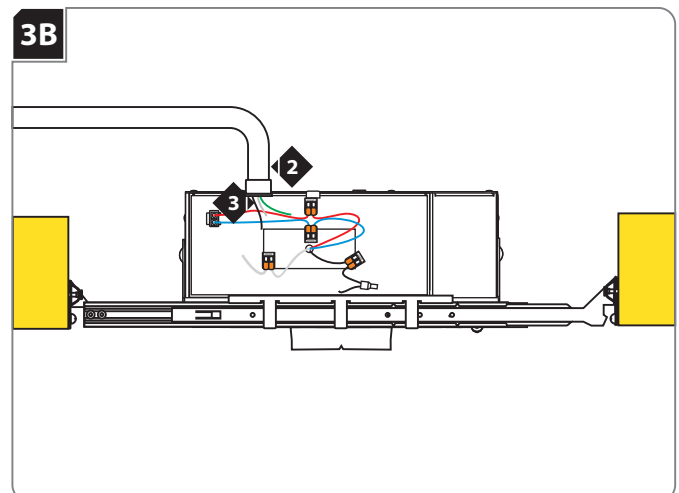
- 1 Slightly loosen the wing nut located inside the housing to slide the butterfly bracket up or down.
- 2 After achieving the proper location, tighten the wing nut to secure the butterfly bracket in place.
- 3 Repeat steps 1 and 2 on for the other butterfly bracket.
- 4 Utilize the butterfly brackets to install the housing in accordance with local electrical codes.

**NOTE:** Notches in the collar can be used to align multiple housings using a laser or string.

## Connect Power to the Housing



- 1 Push the tab on the housing electrical box up and remove the electrical box cover.



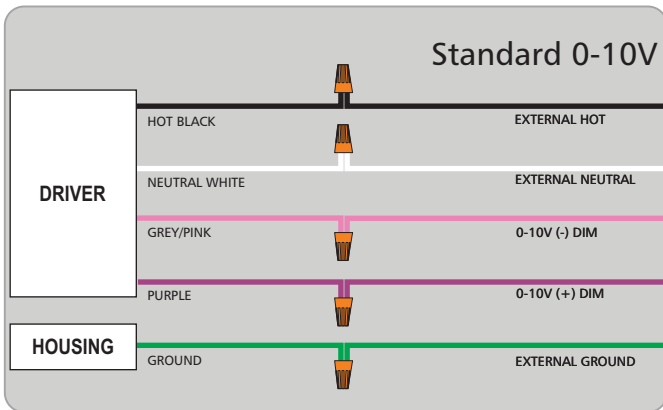
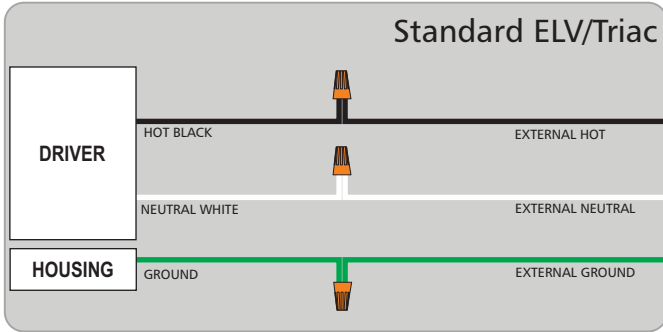
- 2 Install the conduit to the housing electrical box.
- 3 Run the power line wires into the housing electrical box.
- 4 Use the appropriate wiring diagram on the following page to wire your fixture accordingly.

**NOTE:** When a fixture is installed in a location that requires servicing from below the ceiling through the fixture aperture, the branch circuit connections need to be able to be brought out through the aperture. To accomplish this, an NM type cable in conjunction with snap-in/push-in connectors must be used and a 12" service loop must be left available outside of the fixture housing wiring compartment to allow additional branch circuit wiring to be pulled through the snap-in/push-in connector and extended out through the aperture below ceiling level.

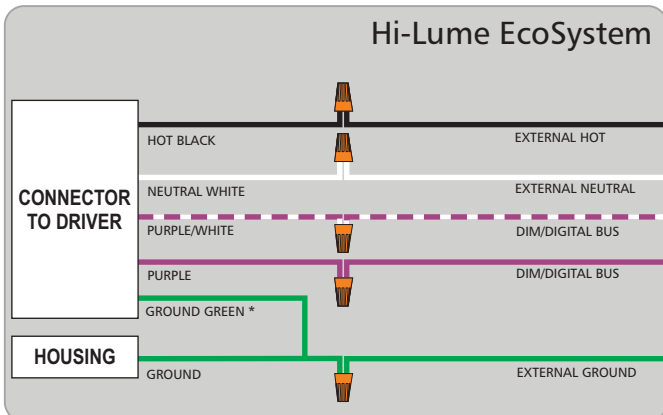
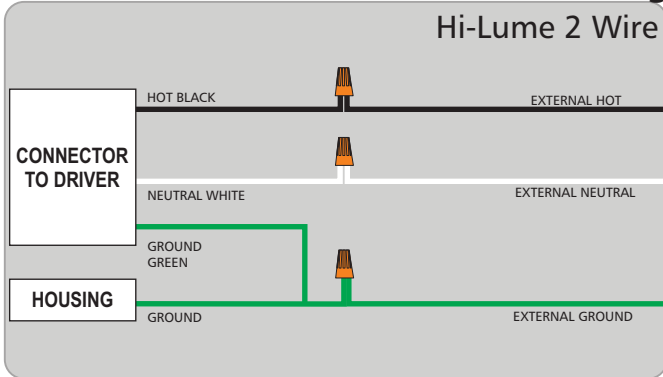
**WARNING: RISK OF FIRE:** When using the housing electrical box for power feed through, use **MAX** 4 - #12 AWG, or 6 - #14 AWG branch circuit wires.

# IC LABELED FIXTURE WIRING

## Standard Driver Wiring

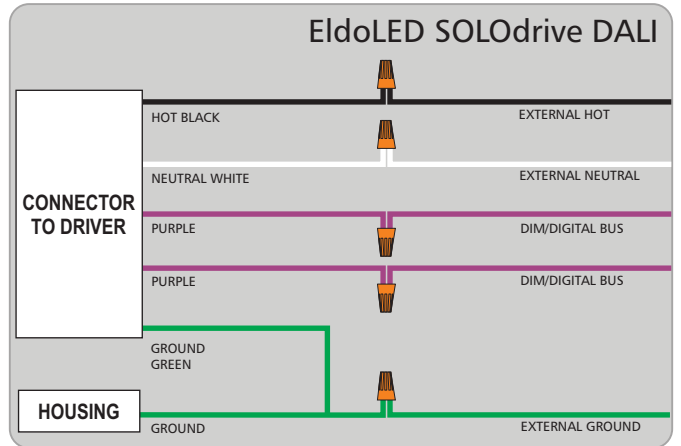
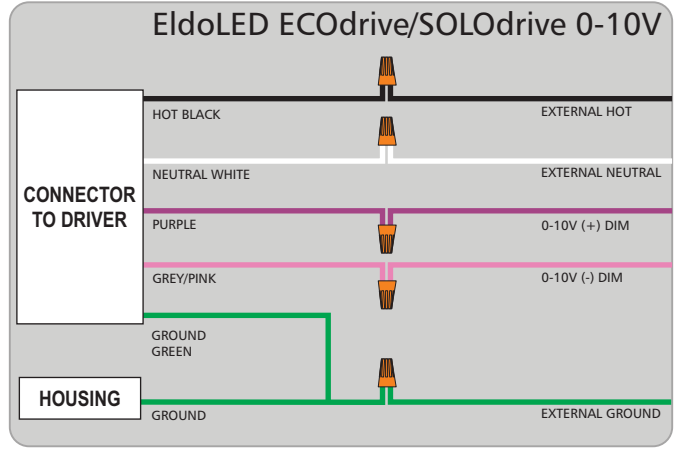


## Hi-Lume Driver Wiring

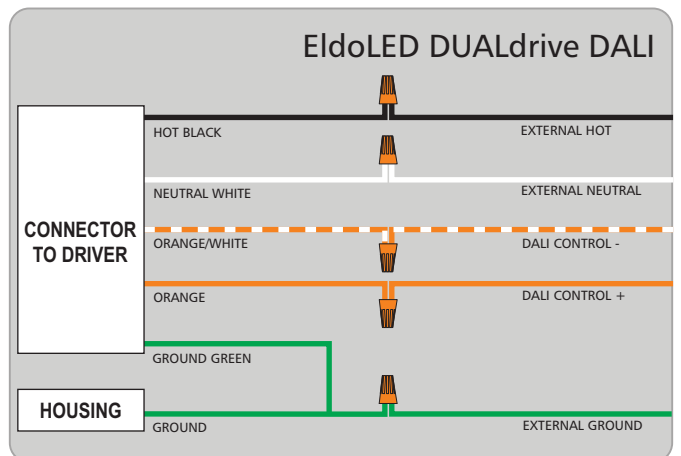
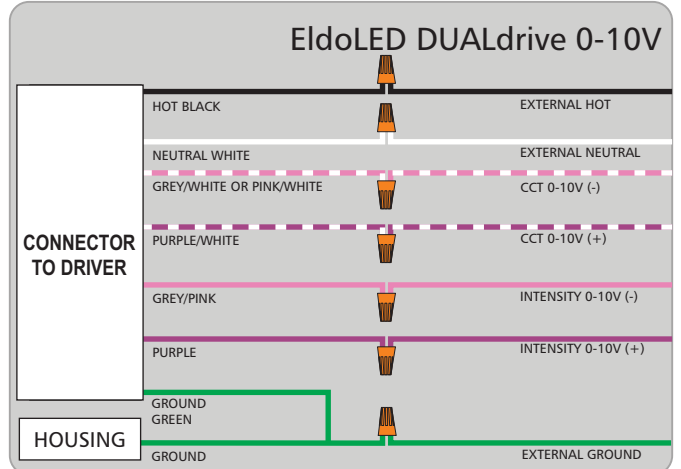


\* If green/ground connection is available, wire to ground.

## EldoLED Driver Wiring

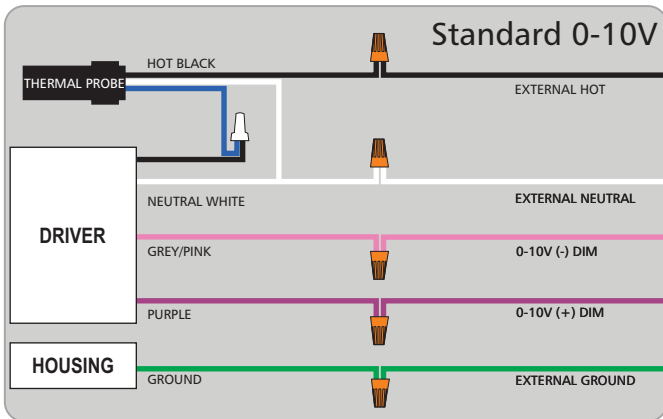
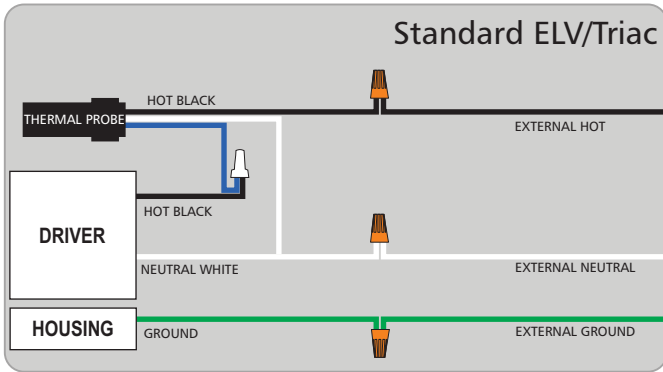


## EldoLED Tunable White Wiring

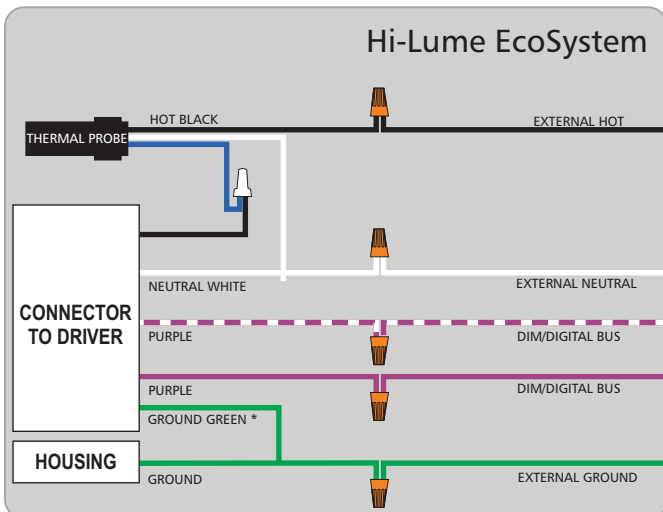
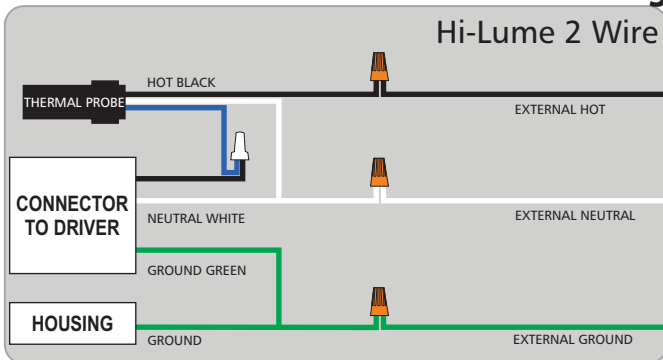


# NON-IC LABELED FIXTURE WIRING

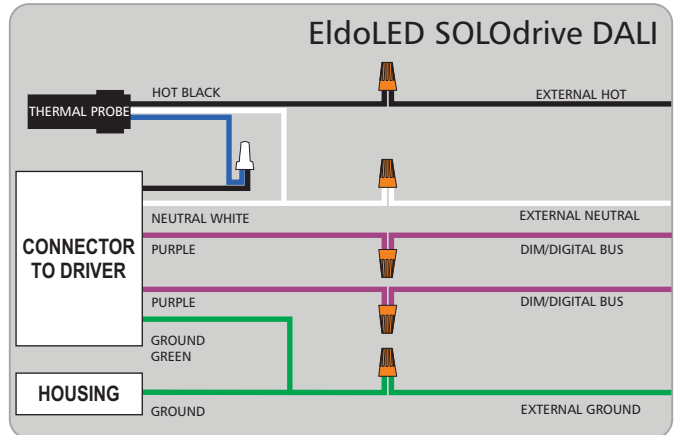
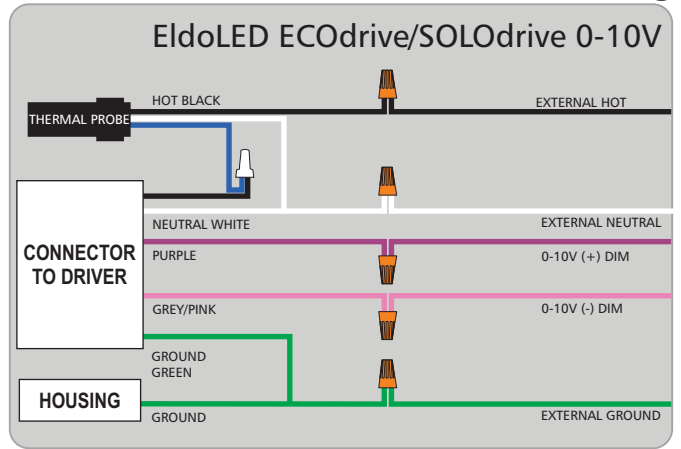
## Standard Driver Wiring



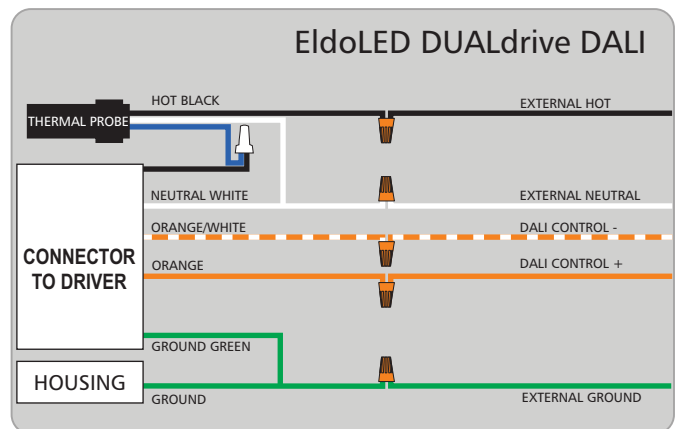
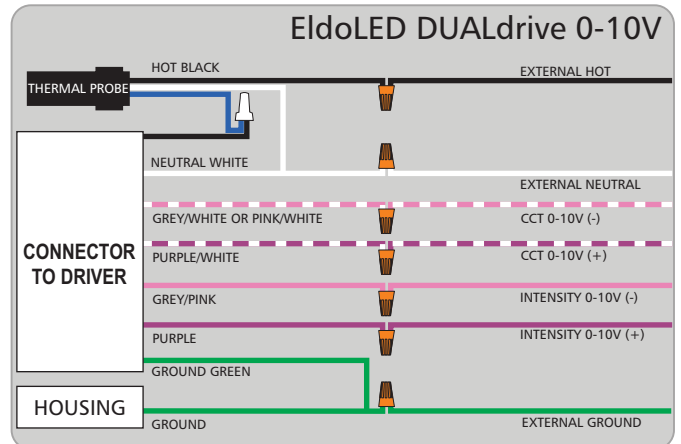
## Hi-Lume Driver Wiring



## EldoLED Driver Wiring

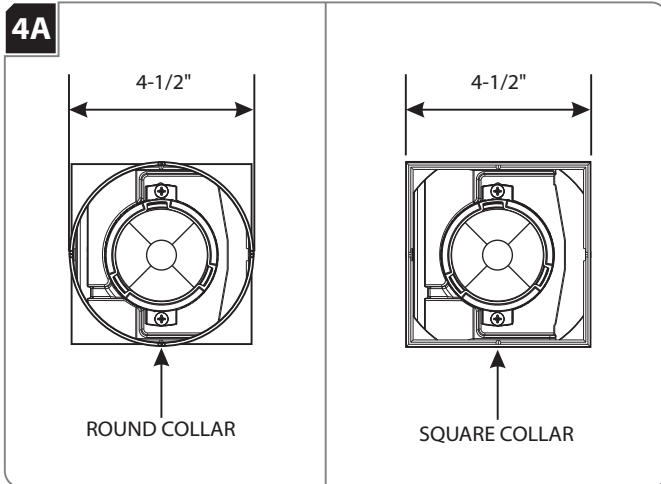


## EldoLED Tunable White Wiring

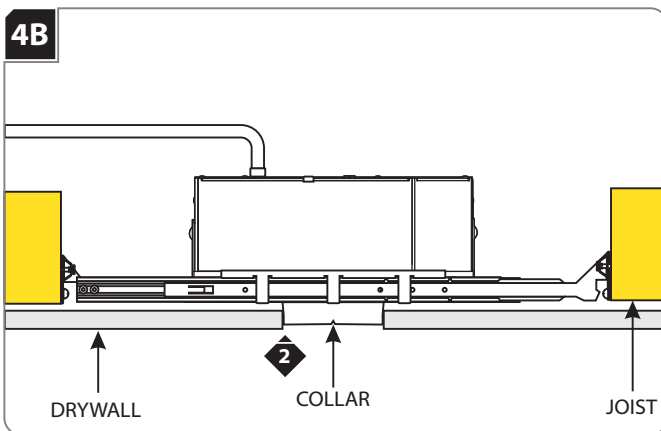


\* If green/ground connection is available, wire to ground.

## Install Drywall



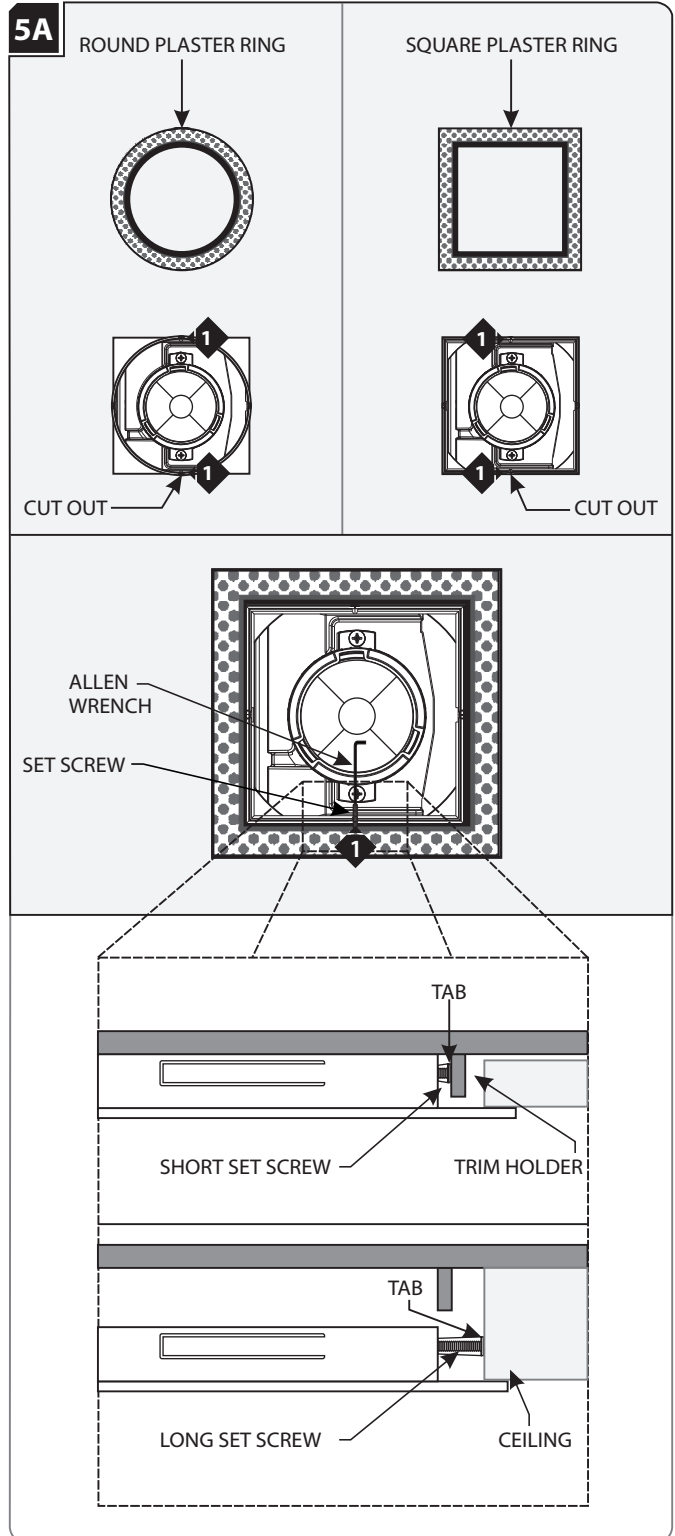
- 1** For round trims, mark a 4-1/2" diameter circle on drywall. Cut out the marked section.  
For square trims, mark a 4-1/2" square on drywall. Cut out the marked section.



- 2** Align the cut out section of drywall with the collar and install drywall.

**WARNING: Risk of Fire:** The housing is not intended to be in contact with or covered with combustible materials and insulation. Do not install insulation within 3 inches of the housing sides or above in such a manner to entrap heat.

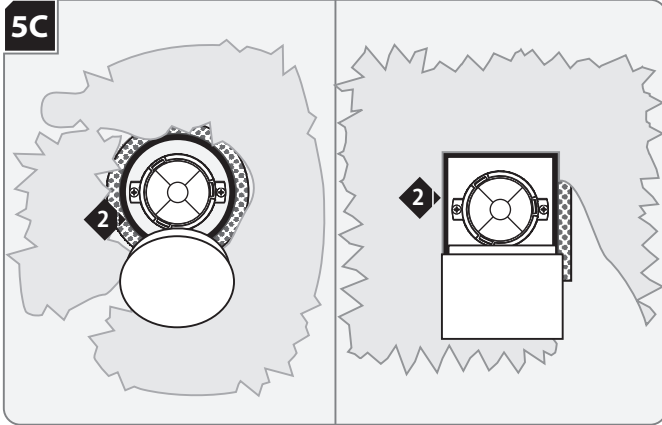
## Install Plaster Ring (For Flangeless Versions)



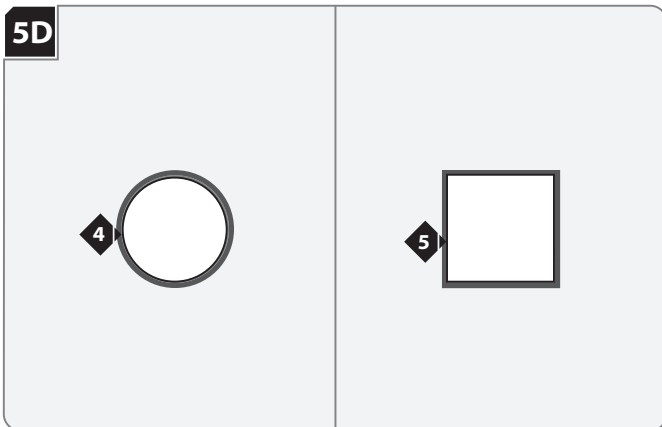
- 1** Insert the plaster ring completely into the collar/ceiling and secure them in place with the provided set screws and Allen wrench.

**NOTE:** Longer set screws have been provided for instances where the plaster ring does not reach the collar and must be secured to the inside of the ceiling cutout. Use the short set screws if the trim is installed in the collar.

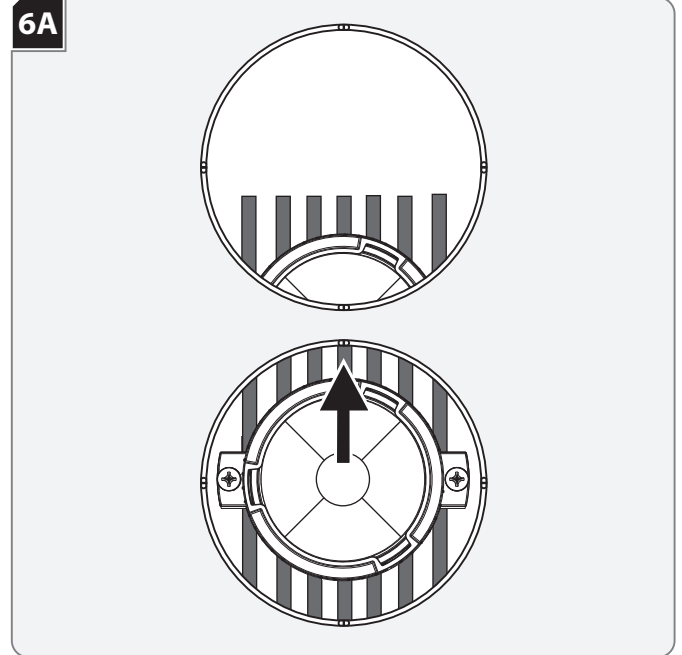
## Position the Lamp



- 2 Plug the collar with the provided dust shield.
- 3 Properly plaster onto the plaster ring and drywall.



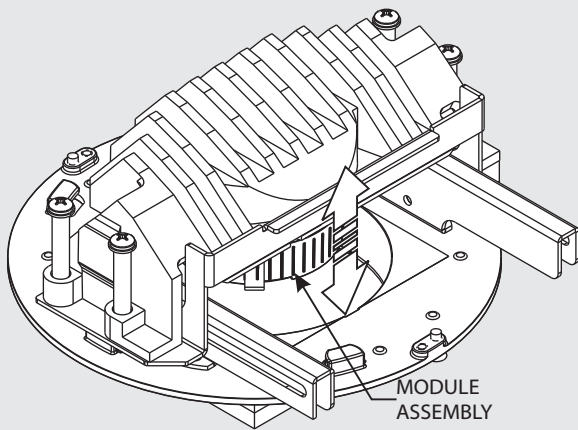
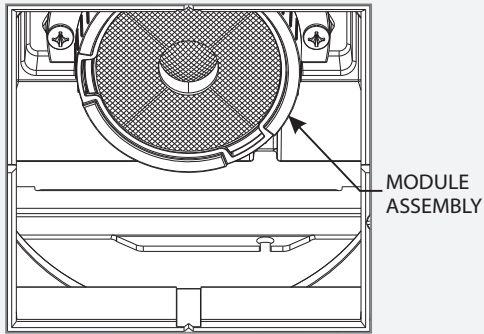
- 4 Finish around the trim to match drywall.



- 1 During shipping, the LED module and heat sink may shift on their track. Slide the module and heat sink into the center of the aperture until they lock into position.

## Adjust the Lamp Housing

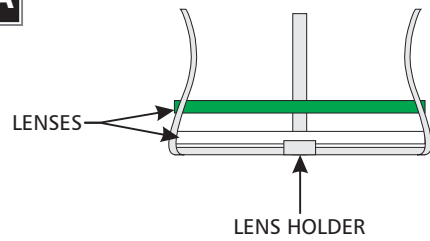
7A



- 1 To adjust the height, grip the module assembly and push up to minimize glare and flash on the trim. Pull down on the module assembly for maximum light output and efficiency.

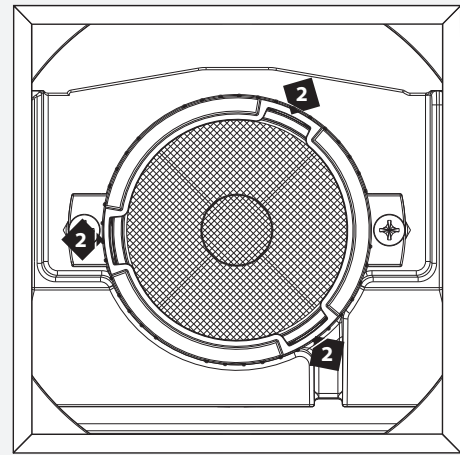
## Install the Lenses (Optional)

8A



- 1 Place lenses (max. 2, optional) inside the lens holder spring.

8B



- 2 Line up tabs of the lens holder spring with the notches on the optic holder and push the lens holder spring on.